

SATA

German Engineering

Spray Guns

Professional car refinishing





Painting like a professional

The quality of a paint job is primarily assessed through visual factors, such as gloss, colour match, material distribution on the surface as well as colour effects. To be able to meet these requirements in the daily work, efficient, sustainable and coordinated work processes are permanently required. Only then is it possible to reproduce **high-quality finishes on a consistent basis**. The **painting equipment being** used makes a significant contribution.

Not only fine **atomization** and **precisely adjustable inlet pressure** are important for a high-quality topcoat finish, but also characteristics such as **ergonomics, balance** as well as threadless material passage for easy and fast cleaning, short threads for fast mounting and dismounting of components, and low energy consumption for sustainable and economical application.

With SATA's premium quality spray guns, you will always have the right equipment for every type of coating material in the vehicle refinish industry. This way you can be sure to get the best application results.

Content

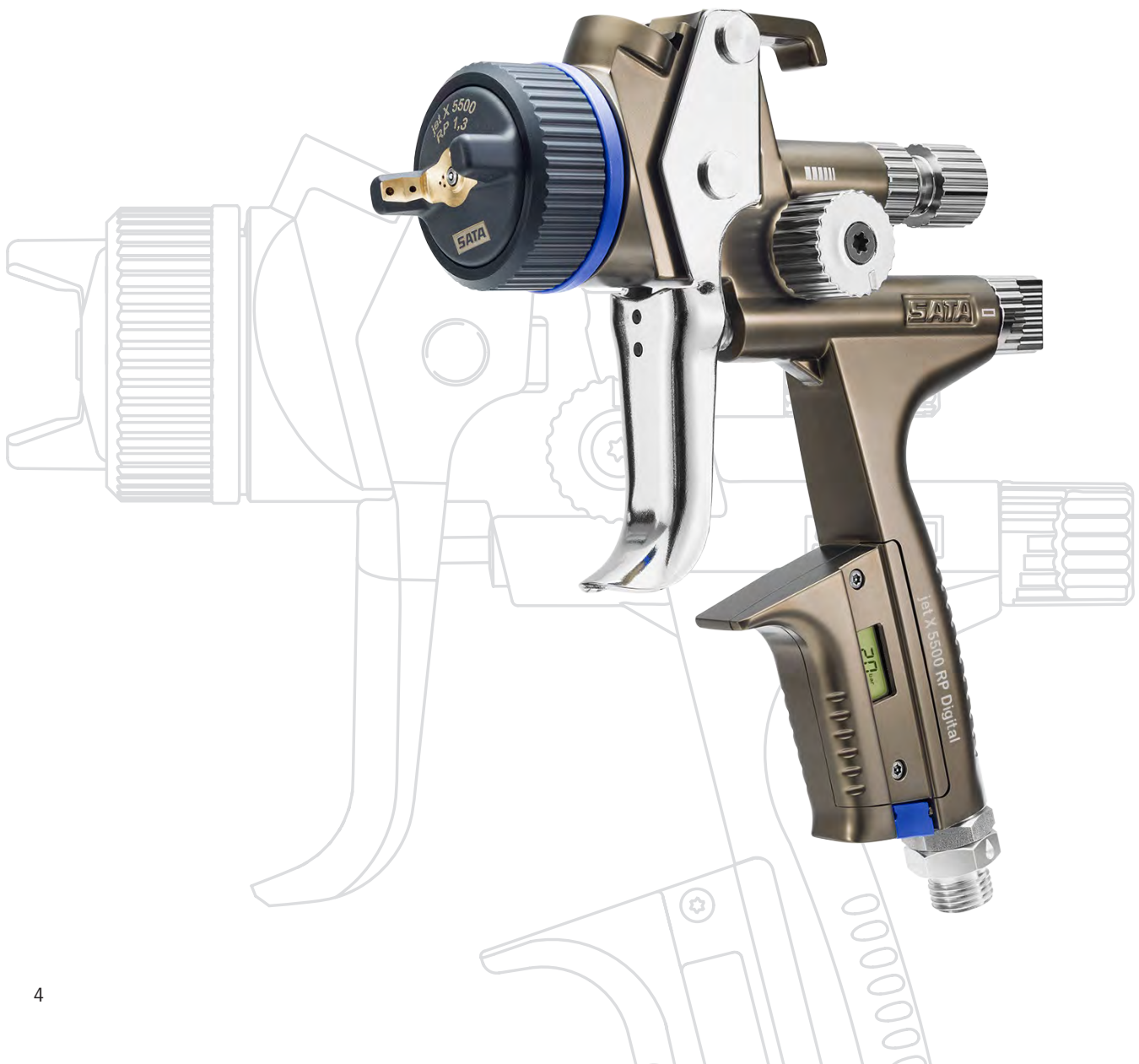
SATAjet X 5500	4
SATAjet X 5500 PHASER	8
SATAmijet 4400 B	10
SATAjet 100 B F/B P.	12
SATAglyph-Serie	14
SATAjet 20 B	15

SATAjet X 5500

Efficient.

Silent.

X-nozzle system





State-of-the-art paint systems and the latest application recommendations open up new possibilities, but also pose new challenges for professional painters. The SATAjet X 5500 featuring the new X-nozzle system defines a completely new application standard for the future.

THE NOZZLE SYSTEM

The concept of this nozzle system is easy and straightforward to understand: Both proven application technologies – HVLP and RP – remain available, but now each of them with the additional choice between "I" and "O"-nozzle sets. In line with the increasing nozzle sizes within each of the respective technology (HVLP / RP), the material flow rate increases too with constant increments – which means that the spray fan size and width remain unchanged across the entire nozzle spectrum. In essence, end-users can now rely on a transparent and consistent system which offers them clear and well-structured application options.

I-NOZZLES

The "I"-nozzles produce a **parallel spray fan pattern with a minimal dry zone** and a drier centre which is ideal for painters preferring a reduced application speed and **maximum application control dur-**

ing the painting process. The **film build per coat** in comparison to an "O"-nozzle of the same size is **slightly reduced.**

O-NOZZLES

Due to an **oval-shaped spray fan pattern with a larger dry zone** and a wet core to accommodate **increased application speed**, the "O"-nozzles enable slightly less application control during the painting process. The **film build per coat** in comparison to an "I"-nozzle is **slightly higher.**

BENEFITS

- Revolutionary: The X-nozzles are taking atomisation to a whole new level
- Noticeably quieter: reduced noise level in the relevant sound frequency ranges due to optimized flow geometry of the whispering nozzle
- Individual: Matches any application requirement, such as specific characteristics of the paint system, climatic conditions and application method (application speed/application control)
- Precise: Optimised material distribution for enhanced spraying uniformity and atomisation with both spray fan shapes
- Low maintenance: No air distribution insert required, thus also ensuring a much easier and faster cleaning process
- Efficient: The optimised atomisation concept enables to realise considerable material savings using the same application method as before

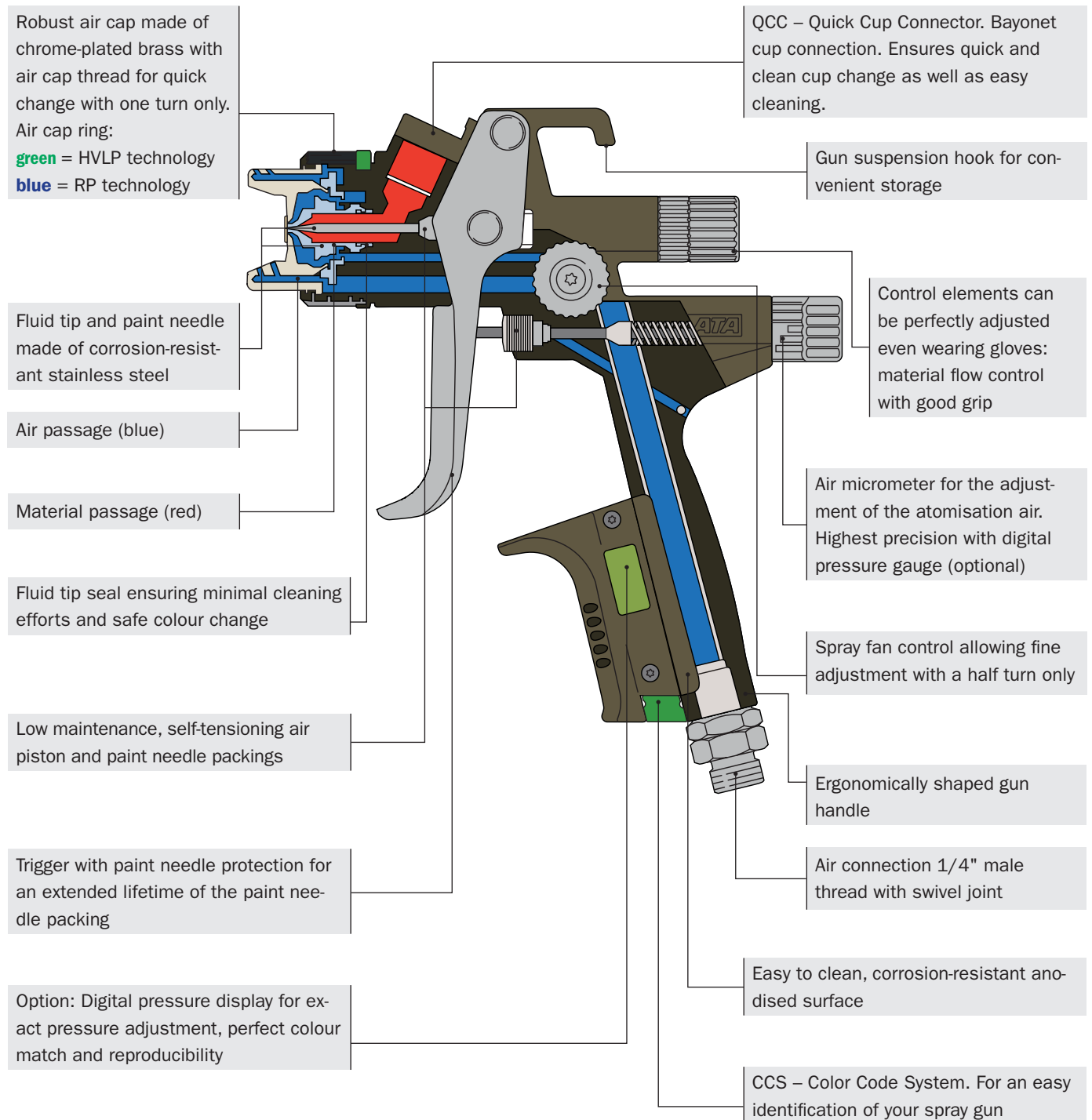


INFO
www.sata.com/x5500



SATAjet X 5500

The revolutionary nozzle system



Top quality! We guarantee it: for 3 years!

NOZZLE FINDER

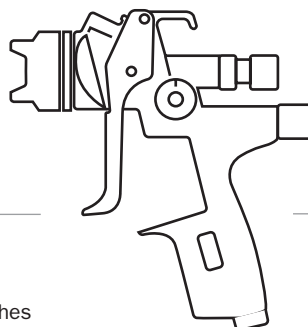


X-NOZZLE SYSTEM

Depending on the properties of the paint system, the climatic conditions and the application technique, each painter can now select a spray gun with the suitable nozzle set for their individual requirements. Due to the inherent consistency of the system, it has become safe and easy to choose the correct nozzle option enabling painters to achieve optimum finishes.

NEW PRODUCTS

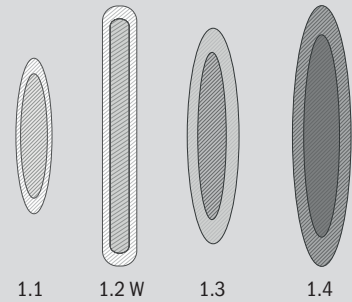
Due to the optimised air distribution inside the spray gun body in combination with the new design of fluid tip and air cap, the air distribution insert is no longer required. In addition, we have managed to reduce the noise level of this whispering nozzle during application, giving painters the feeling of a much softer and more comfortable coating process. And the best of all: The X-nozzles considerably reduce paint waste!



A uniform and flexibly adjustable spray fan according to the specific requirements – the SATAjet X 5500 for perfect finishes

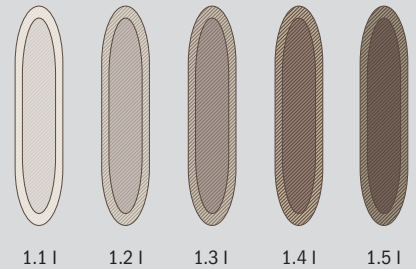
SPRAY FAN SHAPES

Examples of current fan shapes

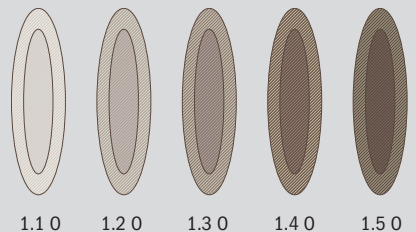


New with SATAjet X 5500

Fan shape I-nozzle HVLP/RP



Fan shape O-nozzle HVLP/RP



To achieve an optimum spray fan without any compromise, far more factors than just ambient temperature and humidity have to be taken into account. The selected coating material with appropriate additives, the dimensions of the object to be painted, the recommended film thickness, the individual painting habits such as application speed or application control are also playing an important role when choosing the correct nozzle size.

SATAjet X 5500 PHASER

Elegant.

Special.

X-nozzle system





SATAjet X 5500 PHASER - a must for anyone looking for something special.

An exclusive spray gun that has been developed in co-operation with the Porsche Design Studio. Exceptional optics, exceptional materials and an exceptional design concept – for exceptional projects.

Combining a unique look with high-quality materials and sophisticated technical solutions unusual for a piece of spray equipment, the PHASER offers a whole new view on spray gun design.

Technologically, the PHASER™ is identical to the SATAjet X 5500 – utilising the same nozzle concept, it also has all other proven technical features which already define the whole SATAjet series as an outstanding spray gun.

The PHASER – the perfect tool for special moments

BENEFITS

- The X-nozzles are taking atomisation to a whole new level
- Whispering nozzle due to optimised air flow geometry
- Matches any application requirement, such as specific characteristics of the paint system, climatic conditions and application method
- Optimised material distribution for enhanced spraying uniformity and atomisation with both spray fan shapes
- No air distribution insert required, thus also ensuring a much easier and faster cleaning process
- Allowing considerable material savings with the same application method as before



QUICK
1-TURN



RPS
SUITED



QUICK
CLIP CONNECTOR



CCS



ADAM 2
COMPATIBLE



1+2=3
PREMIUM
WARRANTY

INFO
www.sata.com/x5500phaser

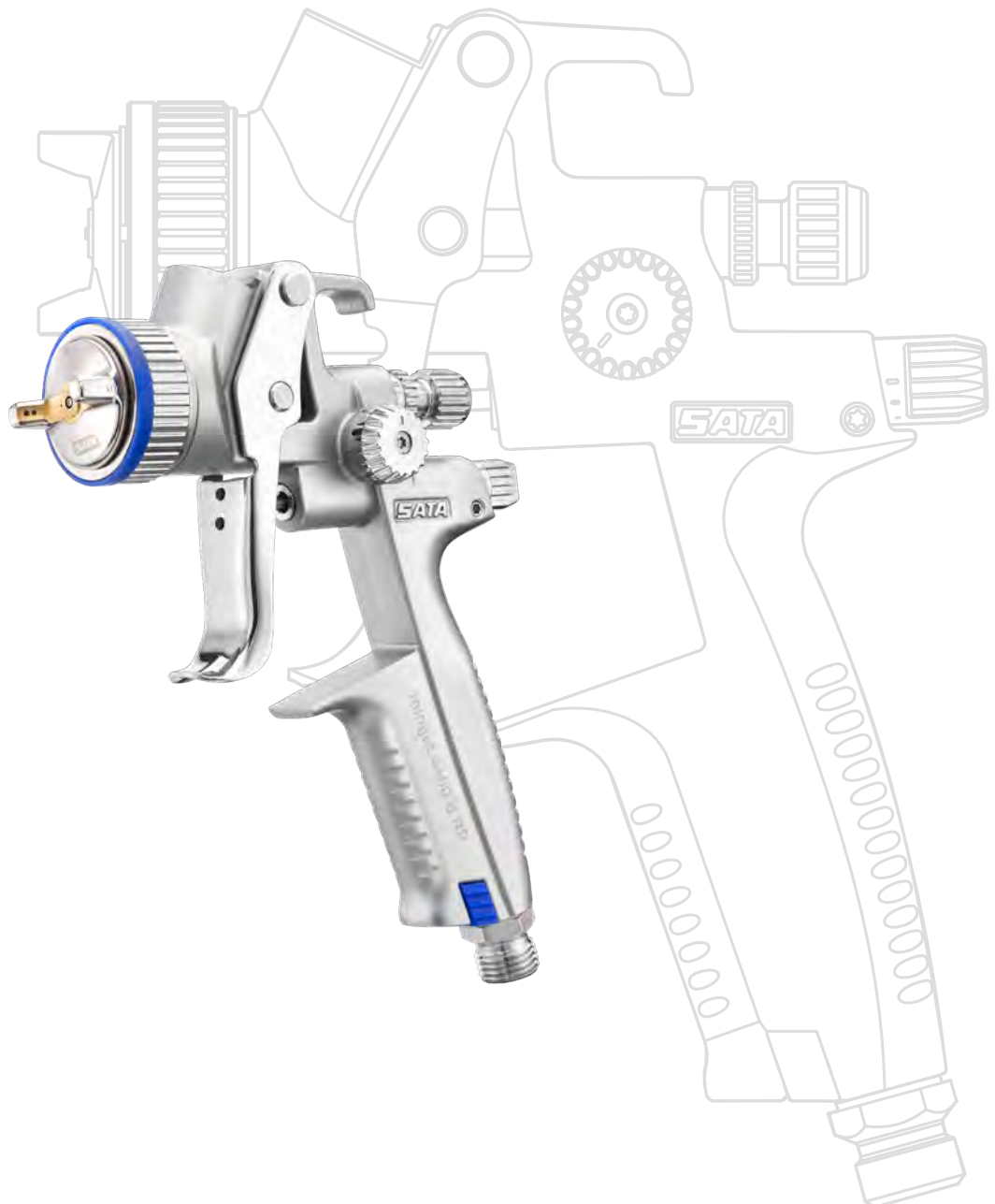


SATAMinijet 4400 B

Compact.

Low maintenance.

Easy to clean.





When it comes to perfect painting results of small vehicle parts or spot repair, the small premium spray gun SATAminijet 4400 B with its SR nozzle sets (SR=spot repair) is the perfect choice.

ERGONOMICS

With its ergonomically shaped handle, the spray gun is perfectly balanced. All adjustment elements can be safely operated even when wearing gloves. The SATAminijet 4400 B is sturdy and long-lasting; the spray fan can be exactly adjusted with a $\frac{3}{4}$ turn only.

ENHANCED DURABILITY

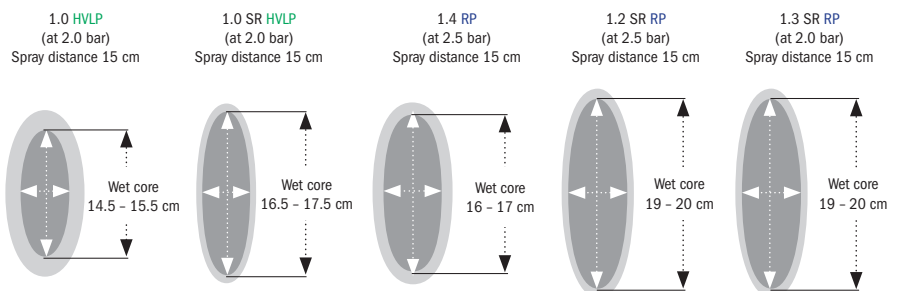
The spray gun body is equipped with an easy to clean, corrosion-resistant perloxal surface. The sturdy air cap is made of chrome-plated brass; paint needle and fluid tip are made of tempered stainless steel. The trigger protects the paint needle from overspray during painting, thus prolonging the lifetime of the paint needle seal. The air piston rod has been especially reinforced. All these features result in an extended spray gun lifetime.

SR NOZZLE SETS FOR SPOT REPAIR

The SR nozzle sets (also available as RP version) are perfectly suitable for spot repairs, regardless of whether 2K-Uni, metallic or pearlescent color shades are getting applied. Compared to the standard nozzle sets, they feature a high spray fan with a stretched core area; colour deviations, and so-called "halos" can be easily avoided.

BENEFITS

- For small surfaces and areas of difficult access
- HVLP and RP nozzle sets
- Special SR nozzle sets for small surface repairs (spot repair)
- Ergonomically formed gun handle
- Easy cleaning and maintenance
- Large QCC cup connection - Quick Cup Connector for all RPS cup sizes. Easy to connect and the cleaning is safe
- Highly flexible in terms of atomisation pressure and spray distance



INFO
www.sata.com/minijet4400b



SATAjet 100 B

Primer.

Filler.

Spray putty.





The primer, filler or spray putty are the basis for a perfect paint job. Therefore, the products used must also be applied precisely in order to avoid unnecessarily time-consuming grinding work.

SATAjet 100 B P

The use of highly viscous spraying putty when repairing damaged vehicles or restorations is always a challenge. Because of the high viscosity of the material and the short processing time (pot life), the SATAjet 100 B P has specially shortened horns on the air cap to prevent material build-up. Like all SATA spray guns, the SATAjet 100 B P has a material passage without undercuts for an easy and fast cleaning.

SATAjet 100 B F

The SATAjet 100 B F is suitable for the application of primers as well as grinding or wet-on-wet fillers. It is extremely versatile and thus suitable both for filling partial areas on vehicle parts and for large surfaces such as engine hoods. In any case, an even material distribution with low overspray is guaranteed. This makes the grinding work (with grinding filler) simple and straightforward.

BENEFITS

- Smoothly polished, ergonomically optimised gun body
- Self-tensioning packings
- Air micrometer for atomisation air adjustment (SATAjet 100 B F HVLP/RP)
- Material flow control with locking nut
- Round/flat spray control for single-hand operation
- CCS - Color Code System-Clip for individual marking
- QCC - Quick Cup Connector. Cup connection (bayonet)



INFO
www.sata.com/100b



SATA Airbrush Spray guns

SATAgraph SERIES

The SATA graph airbrush guns are especially suitable for creating fine dots, delicate lines and contours. Different models are available to suit your specific application needs.

BENEFITS

- Versatile guns for creative designs
- Easy handling for fatigue-free work
- Easy to assemble and disassemble for cleaning and replacing of the nozzle sets

SATAgraph 1 – THE STARTER MODEL

- With double action system for separate air and material control to achieve special effects
- Versions with gravity flow cup or suction cup



SATAgraph 3 FOR PROFESSIONALS

- Features similar to SATAgraph 1, however, with additional removable needle cap to allow drawing finest lines
- Material flow control
- Four nozzle sizes available



SATAgraph 4 – THE UNIVERSAL

- Simultaneous air and material control via the trigger for a familiar action
- Removable needle cap to allow drawing finest lines



INFO
www.sata.com/graph



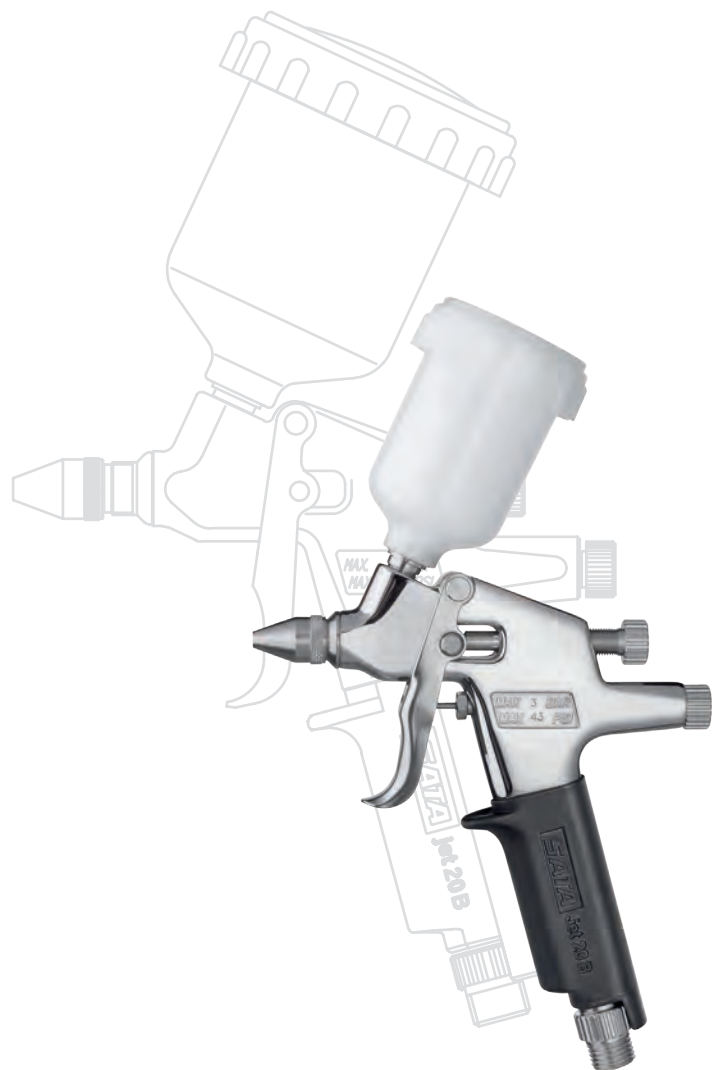
SATAjet 20 B

The SATAjet 20 B has been designed for use in all areas of creative painting: For all kinds of airbrush applications including graphic design, automotive custom painting, model making, artwork and calligraphy - the results are simply outstanding.

- Ergonomically shaped gun body similar to conventional guns which allows working without fatigue
- Flexible air supply - inlet connection available at the base and at the rear of the gun
- Can be used with gravity flow cup or practical plug-in cups
- Simultaneous air and material control via the trigger for a familiar action
- Material flow control
- Low maintenance due to self-adjusting seals
- Large range of precision nozzle set-ups for ultimate detailing available

BENEFITS

- Versatile in application - ensuring perfect finishes
- Special gun design with perfect ergonomics for imaginative painters
- Flexible air supply
- Large available range of round spray nozzles



INFO
www.sata.com/20b



SATA

SATA GmbH & Co. KG
Domertalstrasse 20
70806 Kornwestheim
Germany
Tel.: +49 7154 811-200
Fax: +49 7154 811-194
E-Mail: export@sata.com
www.sata.com

